

**DIX** TRAIL

**INSTALLATION & CONFIGURATION**

Questions?

[support@archercomponents.com](mailto:support@archercomponents.com) +1 831 313 7400

## Installation Video



## Multi-language Documentation



## Step 1: Install App

Download and install the Archer Components app from the Google Play Store or Apple App Store.



## Step 2: Charge Batteries

Charge the shifter and remote batteries completely using the provided charger.

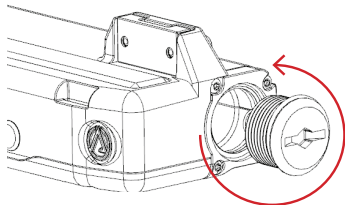
## Required Tools

- ✓ 2.5mm hex driver
- ✓ 5mm hex driver
- ✓ cable/housing cutters
- ✓ 4mm hex driver

## Step 3: Shifter Preparation

### 1. Install Batteries

- Remove the battery door using a 4mm hex driver, flat-head screwdriver, or coin.
- Insert the two 14500 li-ion rechargeable batteries into the battery channel, **POSITIVE END FIRST**.
- Add a light lubricant to the threads on the battery door and close tightly.

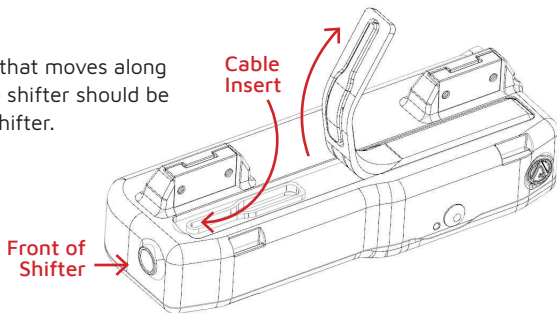


Note: **Do not use alkaline AA batteries.** Although they are the same size, they run a much lower voltage and the shifter will not work.

### 2. Install Shift Cable

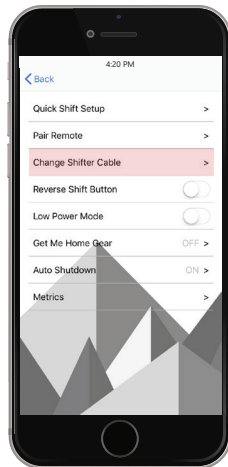
- Place the shifter along your chainstay and measure the length of bowden housing you will need for your bike. Keep the housing as smooth as possible. You may need to pre-bend it to get the right shape for your bike.
- Peel back the bumper to expose the cable opening.

- The black drive nut that moves along the screw inside the shifter should be at the front of the shifter.



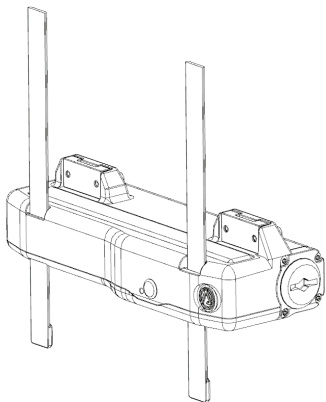
*If not, power on the shifter, pair with the app, and go to "Settings > Change Shifter Cable"*

- Pass the shift cable through the hole at the top of the drive nut and thread it out the hole on the front of the shifter.
- Affix ferrules to the bowden housing and slide the shift cable through. Fit the shifter end ferrule into the hole on the shifter.
- Pull the shift cable snug against the drive nut and take care that the barrel of the shift cable is not caught on the small metal tab on the drive nut.
- Replace the cover over the maintenance door. Use a light lubricant if the silicone is sticky.



### 3. P-straps

- Insert the flat end of each P-strap into the front slot-holes and pull snug.
- Place the provided aluminum clamps in the mounting bosses on the top of the shifter.
- Loosely thread screws through the mounting bosses and into the aluminum clamps.



## Step 4: Mount the Shifter

### 1. Bike Preparation

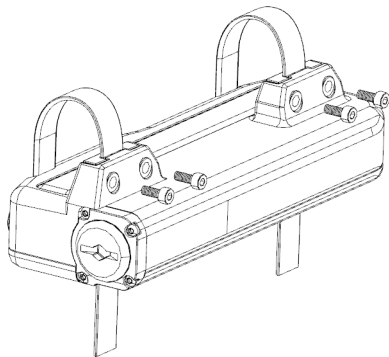
- If removing the rear wheel will make installation easier, do so.
- Disconnect the old shift cable, housing and ferrule from the rear derailleur.
- Remove the cable, housing, and old shifter pod from your handlebar.

### 2. Install

- Thread the provided shift cable through the derailleur path but DO NOT TIGHTEN the shift cable on the derailleur at this point. Take care to seat the end of the ferrule/bowden housing into the derailleur.
- Place the shifter on the bottom of the chainstay.

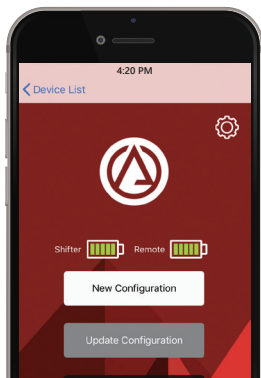
- Pull the p-straps over the chainstay and through the slot on the mounting boss.
- Push the shifter up against the chainstay while pulling the p-straps tight and tightening the clamp screws from behind.

*It can help to put a temporary zip tie in place to hold the shifter against the chainstay while you tighten the p-straps.*



### 3. Configure

- Turn on the shifter by pressing the power button for 1 second. You should feel the power button click when pressed AND released. If you don't feel the click, give the button a little tug.
- Red light on the shifter will flash indicating that the shifter is available to pair.
- Open the Archer app and find the device labeled either D1x\_Shifter or D1x\_#####. Pair with the device if prompted.
- Press *New Configuration* and proceed through the prompts on the app.



## Step 5: Remote Installation

### 1. Battery

- Remove the two screws from the battery door cover using a 1.5mm hex driver.
- Insert the 10440 li-ion battery.
- Check that the o-ring is properly seated around the battery door.
- Close the door and tighten the screws.

### 2. Remote Installation

- Mount the remote to your own MatchMaker compatible parts or using the clamp provided, ensuring it is in the optimal position and is tightened securely.

## Step 6: Remote/Shifter Programming

This process is only required once. The shifter will learn the unique ID of the remote and only respond to that remote during normal operation. Once the shifter is programmed, the following steps will not need to be performed again unless you get a new remote.

- Make sure the shifter and remote are powered off.
- Power on the shifter and pair with the mobile app.
- Go to “Settings > Pair Remote”, tap Proceed. Shifter will turn off automatically.
- Close the app.
- Turn shifter back on. An orange LED will flash indicating Remote Learn Mode.
- Turn on the remote. LED will flash green 2 times, then orange. Once the orange light has stopped flashing the remote has been uniquely paired to the shifter.

# Shifter Modes of Operation

## Battery Check

When the shifter turns on, the LED displays the battery level.

When the shifter is in Run Mode, click the power button once to display the battery level.

**Solid Green** = 30%—100%

**Solid Red** = 15%—30%

**Flashing Red** = <15%

## Run Mode Features

### Normal:

- A **green** flashing LED
- Auto-shutdown timer enabled
- Get me home gear enabled

### Low Power Mode:

- LED connection and battery indicators shown for 10 seconds after powering on, power button press, or shift command received. Otherwise, LEDs are shut off.
- Auto-shutdown timer deactivated
- Get me home gear deactivated

### Micro-Adjust Mode\*:

- Press the Micro-Adjust Button (MAB) until the remote LED flashes **orange**
- Use the shift buttons to adjust the current gear set point
- Click the MAB to end Micro-Adjust Mode
- Note: Micro-Adjust mode will end automatically after 7 seconds if no buttons are pressed  
*\*Micro-Adjust only available on remotes with a Micro Adjust Button*

## Search Mode

- When the shifter is not connected to a device (app or remote) the LED will flash **red**. The shifter is waiting for a device to connect to.

## Learn Mode

- LED flashes **orange**
- Shifter is in Learn Mode when "Pair Remote" is pressed in the app  
*While in Learn Mode, the shifter is searching for an available device to connect with. Once connected the shifter will record the UUID in memory and only pair with this device.*